

Illustration - Type - E

3 601 JG0 300
 Issue/ 18-09-18
 Stand/ **Fig. /Abb. 1**

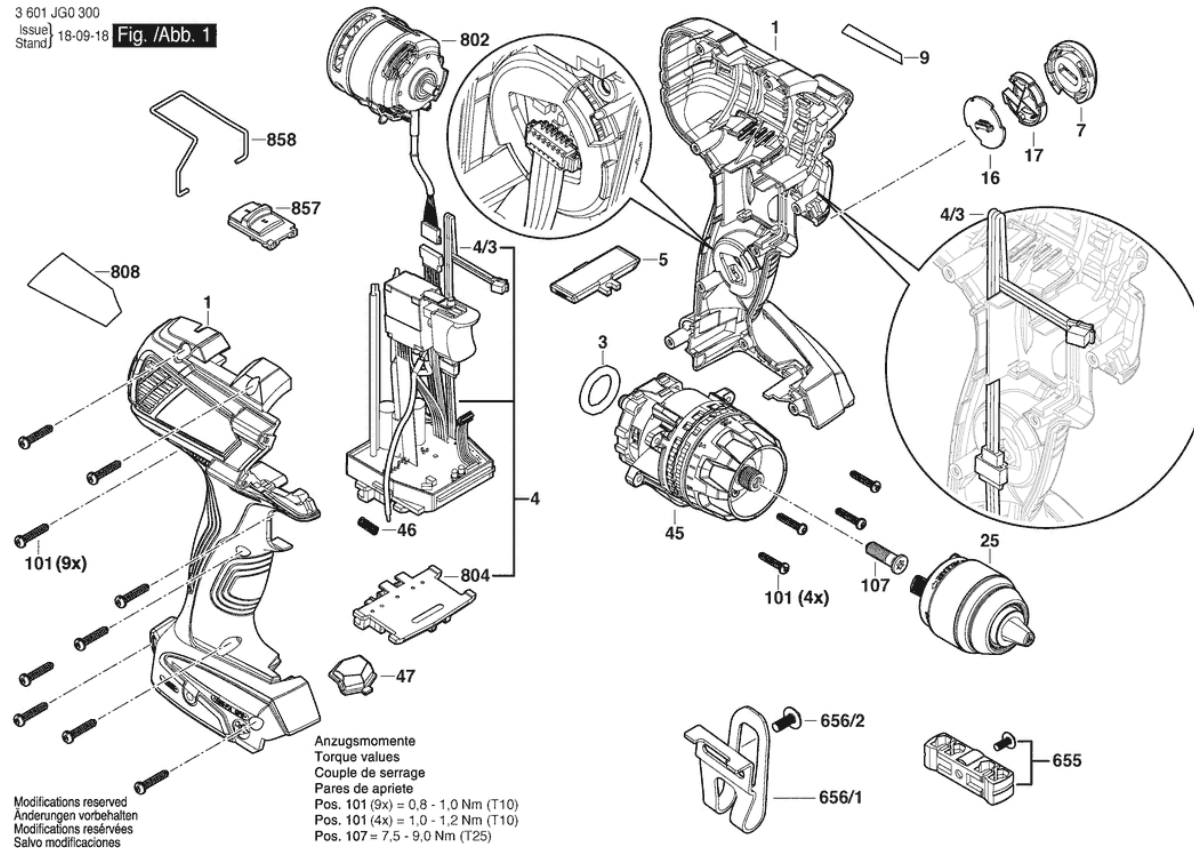
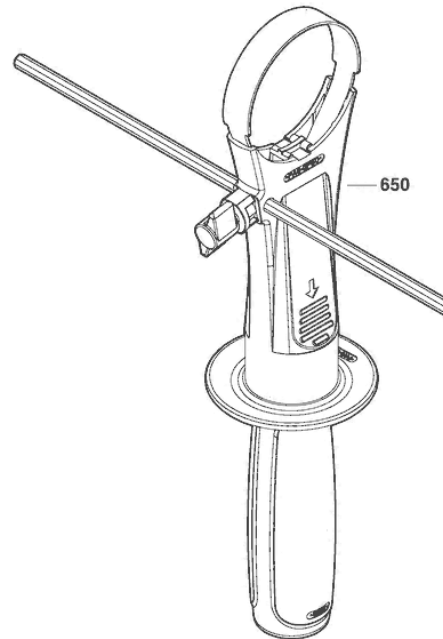
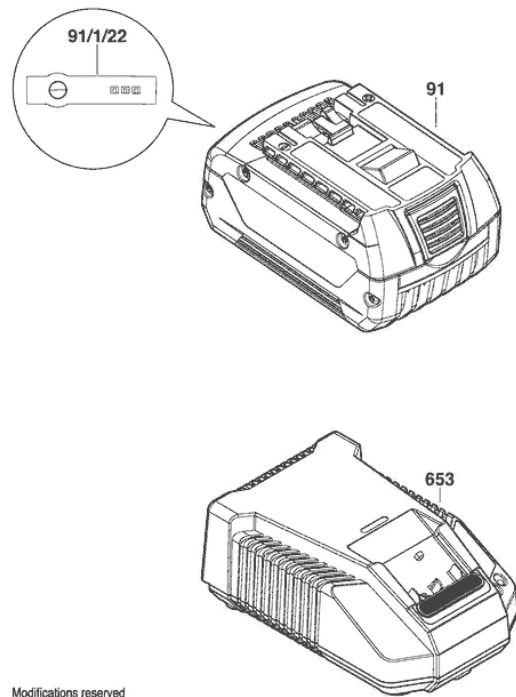


Illustration - Type - E

3 601 JG0 300
Issue/Stand | 16-08-05 | Fig. /Abb. 2



Modifications reserved
Änderungen vorbehalten
Modifications réservées
Salvo modificaciones

Spare parts list

Item	Part Number	Description	Illustration
1	1 605 108 2CJ	Housing	1
3	2 609 170 278	O-Ring	1
4	1 607 233 5DB	Electronics Module	1
4/3	1 607 503 377	Printed-Board Assembly	1
5	2 609 101 551	Adjusting lever	1
7	1 600 A00 RU9	Cover unit	1
9	1 601 11C 3A8	Manufacturer's nameplate GSB 18V-110	1
16	1 607 503 333	Printed-Board Assembly	1
17	1 600 A00 M53	Cover Panel	1
25	1 600 A01 YE8	Keyless Chuck	1
45	2 609 199 916	Gear Box	1
46	1 609 280 477	Compression Spring	1
47	2 609 101 490	Lens	1
101	2 609 110 353	Torx Oval-Head Screw	1
107	2 603 421 229	Countersunk-Head Screw LEFTHAND THREADS M6X23	1
655	2 609 199 748	Bit holder	1
656/1	2 609 111 584	Clip	1
656/2	2 609 110 834	Screw	1
802	1 600 A00 XG0	Motor Spare Parts Set	1
804	1 609 280 820	Contact retainer 18V	1
808	1 601 11A 75D	Nameplate GSB 18V-110 SP	1
857	2 609 101 554	Switch Slide	1
858	2 609 112 036	Switch Spring	1
91	1 607 A35 0AN	Battery Pack	2
91	2 607 336 723	Battery Pack GBA 18V 4,0AH	2
91	2 607 336 815	Battery Pack	2
91	2 607 337 069	Battery Pack	2
91	2 607 337 263	Battery Pack	2
91/1/22	2 601 115 537	Sticker	2
650	1 602 025 07X	Auxiliary Handle	2
653	2 607 225 893	Fast Charger	2
653	2 607 225 921	Charger EU GAL 1880 CV 230/14,4-18V	2
653	2 607 225 923	Charger	2

Spare parts list

Item	Part Number	Description	Illustration
653	2 607 226 251	Fast Charger	2